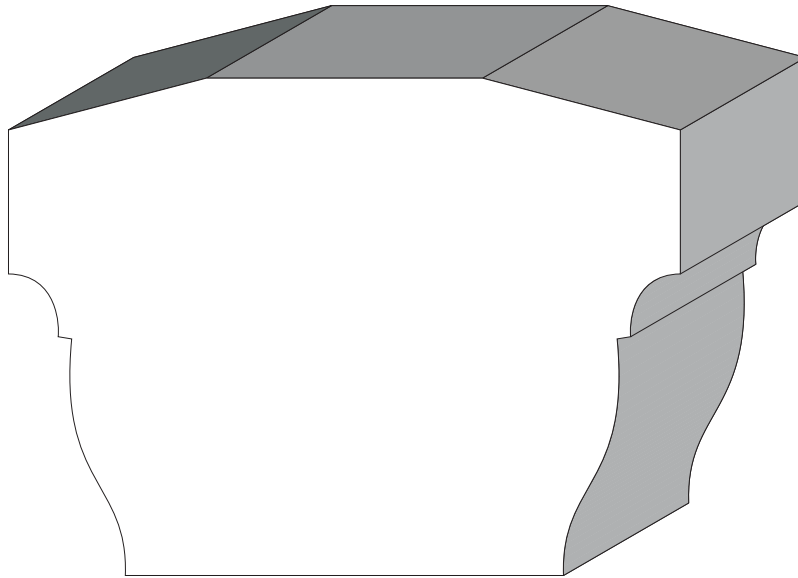
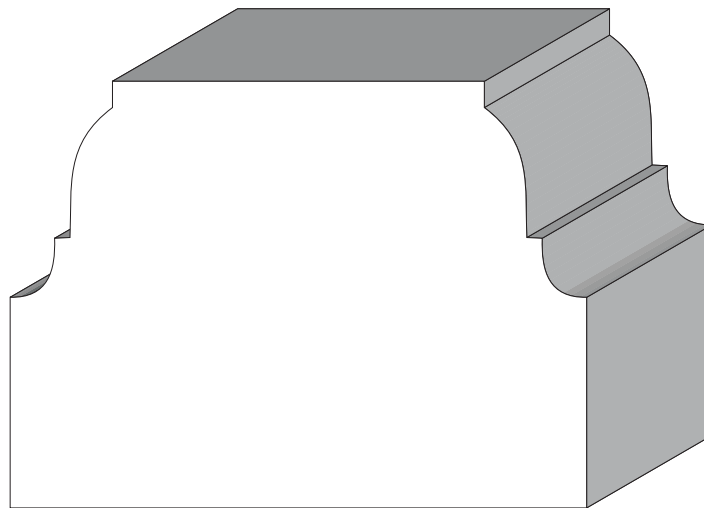




Hand Rails &
Caps



BA 1802
2-5/8" x 3-1/2"

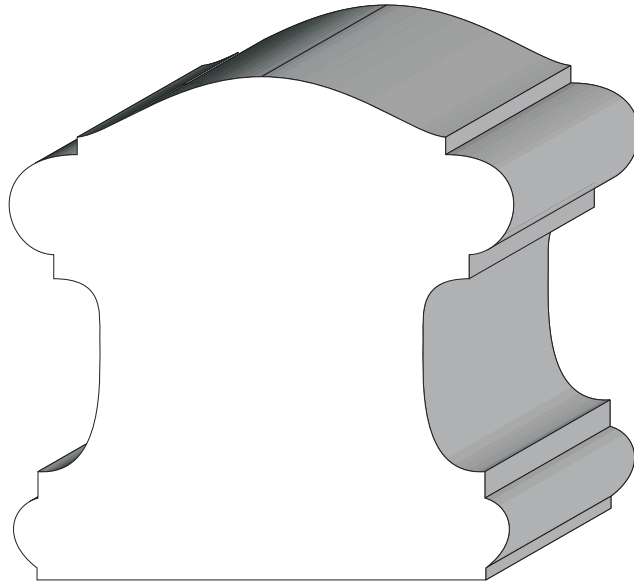


1803
2-1/4" x 3"

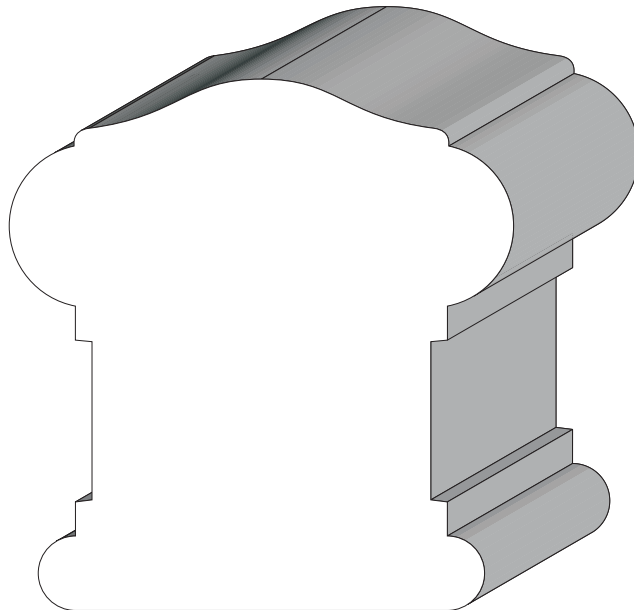
Profile dimensions can be adjusted, please call for details.



Hand Rails &
Caps



BA 1699
2-5/8" x 2-5/8"

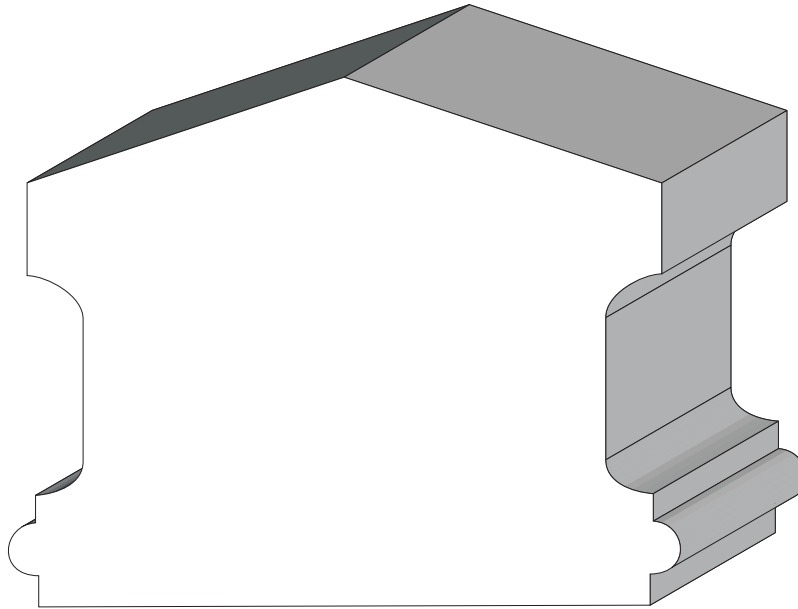


BA 1783
2-3/4" x 2-5/8"

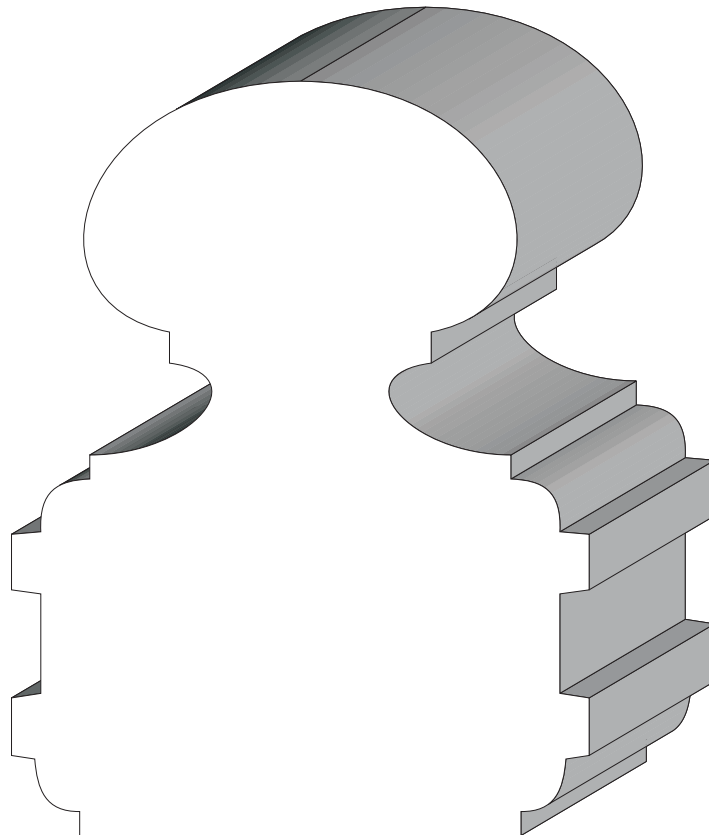
Profile dimensions can be adjusted, please call for details.



Hand Rails &
Caps



BA 1748
2-3/4" x 3-1/2"
Similar to BA 1380

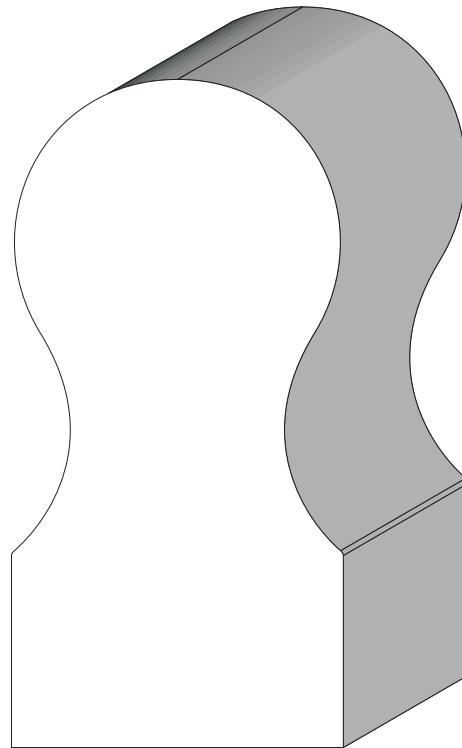


BA 1696
3" x 3-15/16"

Profile dimensions can be adjusted, please call for details.



Hand Rails &
Caps

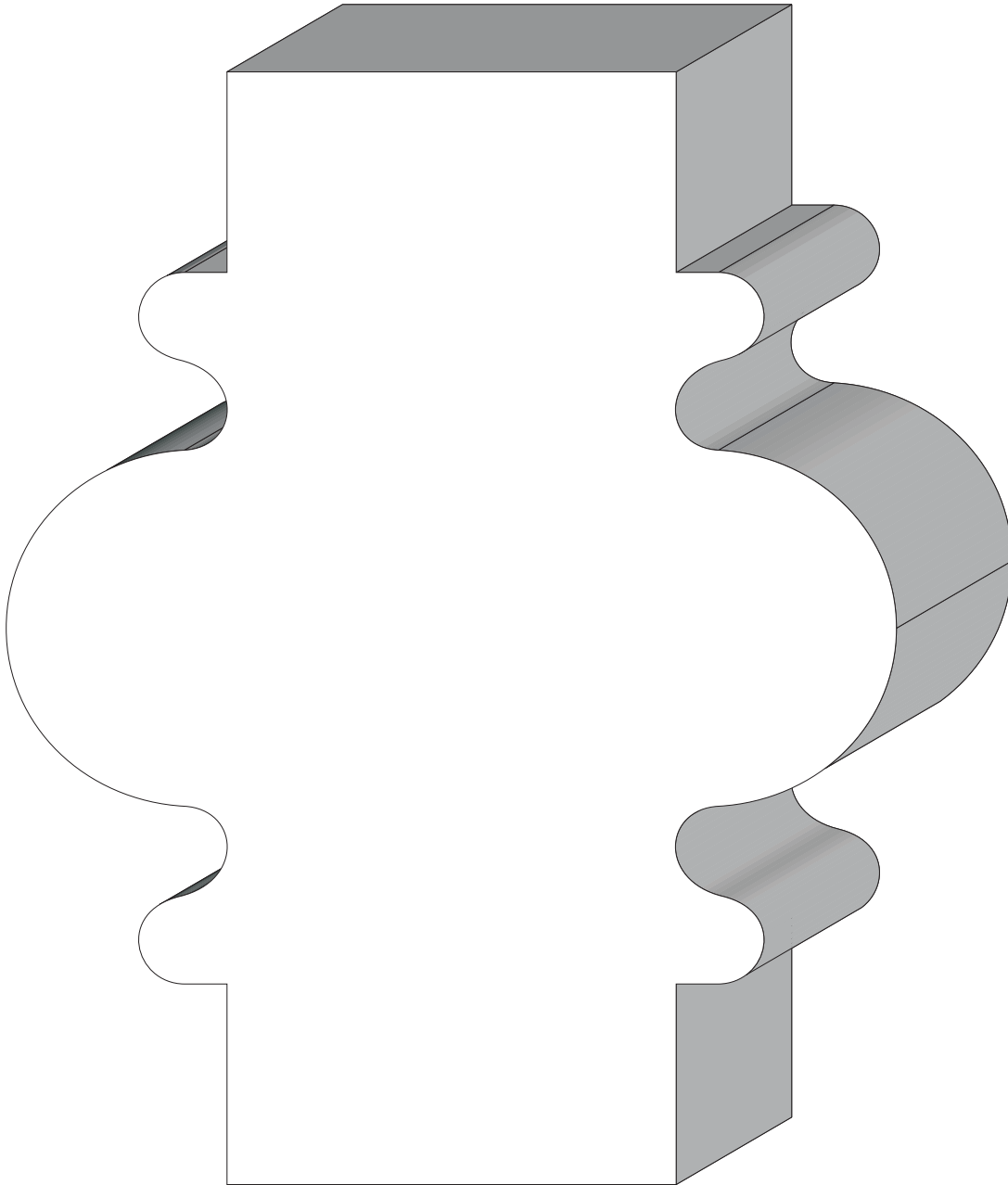


BA 1805
1-3/4"

Profile dimensions can be adjusted, please call for details.



Hand Rails &
Caps



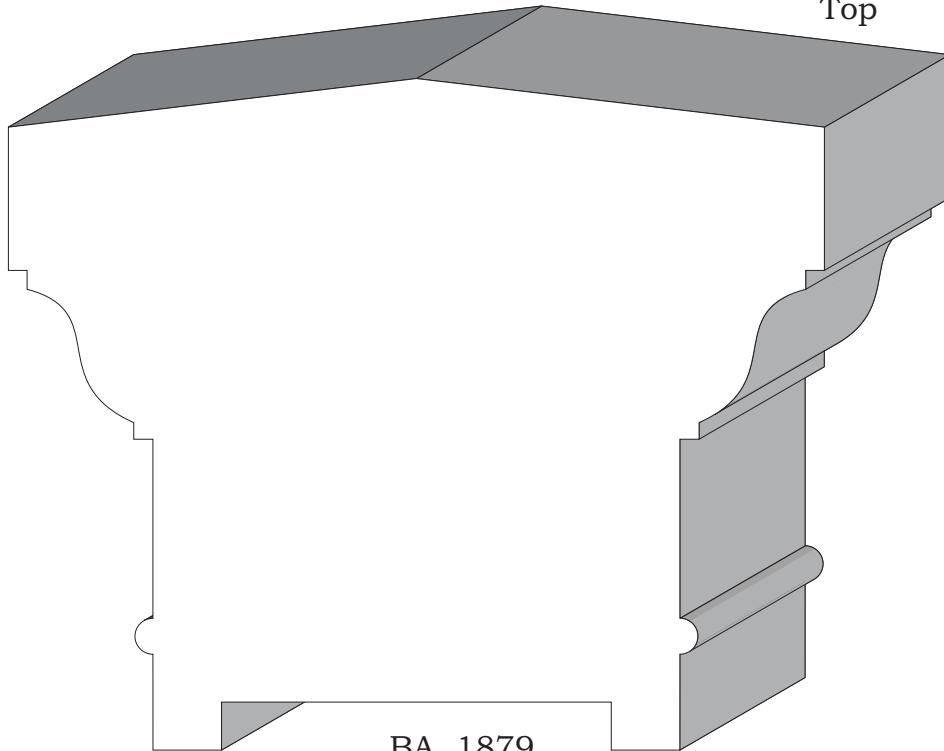
BA 1834
6-1/4" x 5"

Profile dimensions can be adjusted, please call for details.



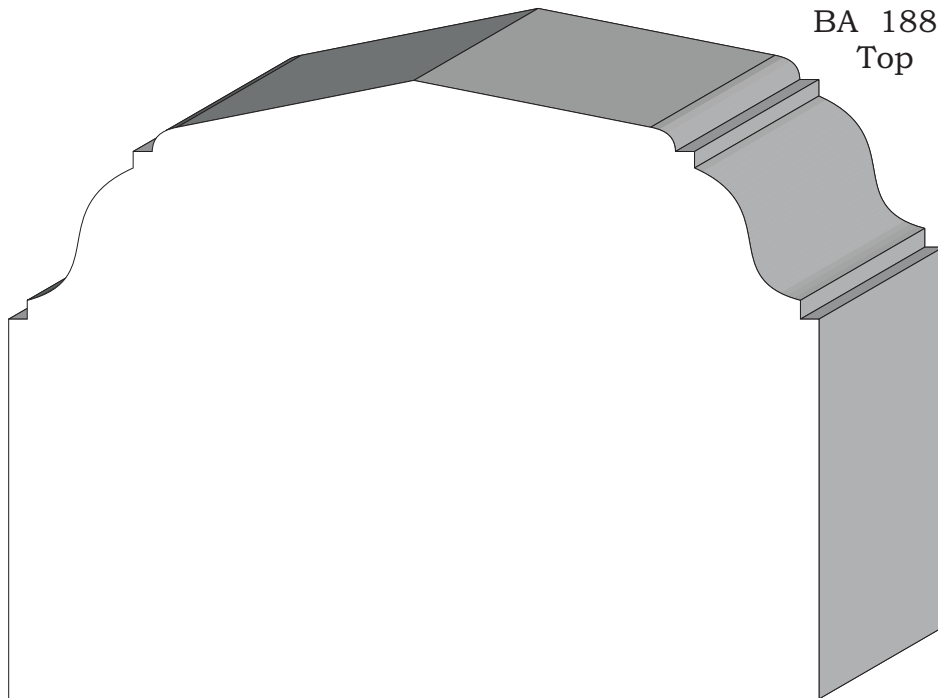
Hand Rails &
Caps

BA 1880
Top



BA 1879
3-1/2" x 4-1/4"

BA 1882
Top



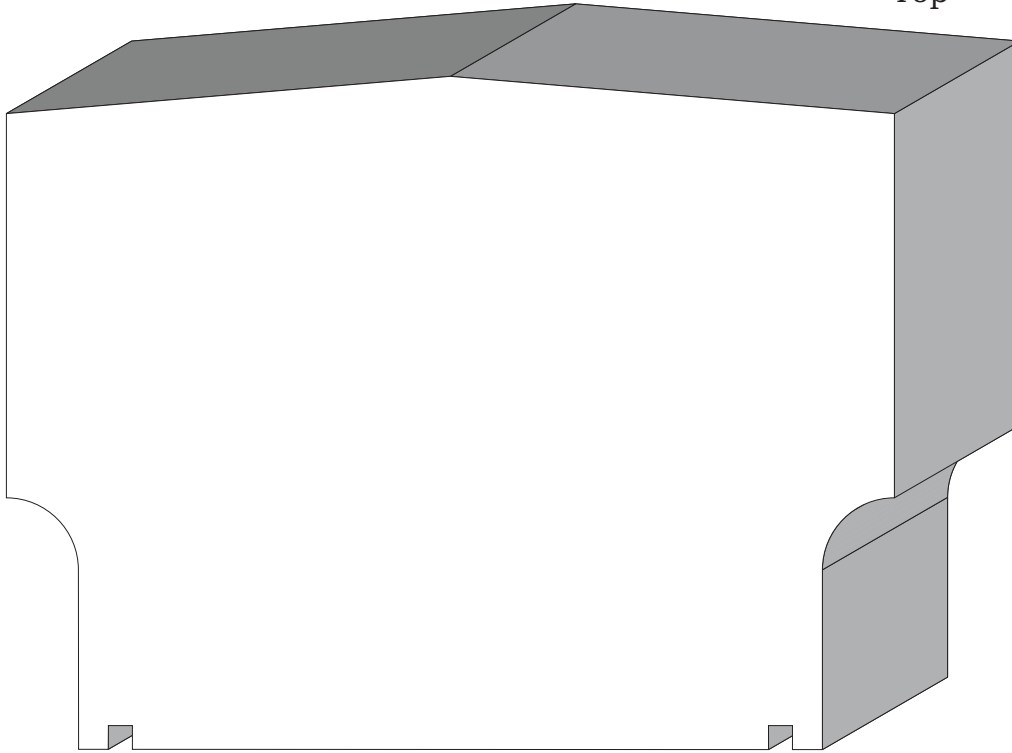
BA 1881
3-1/4" x 4-1/4"

Profile dimensions can be adjusted, please call for details.



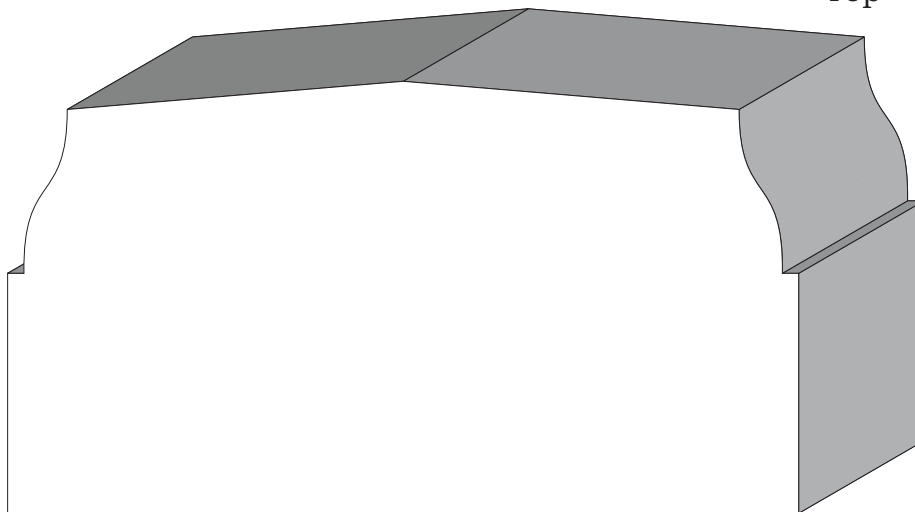
Hand Rails &
Caps

BA 1884
Top



BA 1883
3-1/2" x 4-5/8"

BA 1884
Top

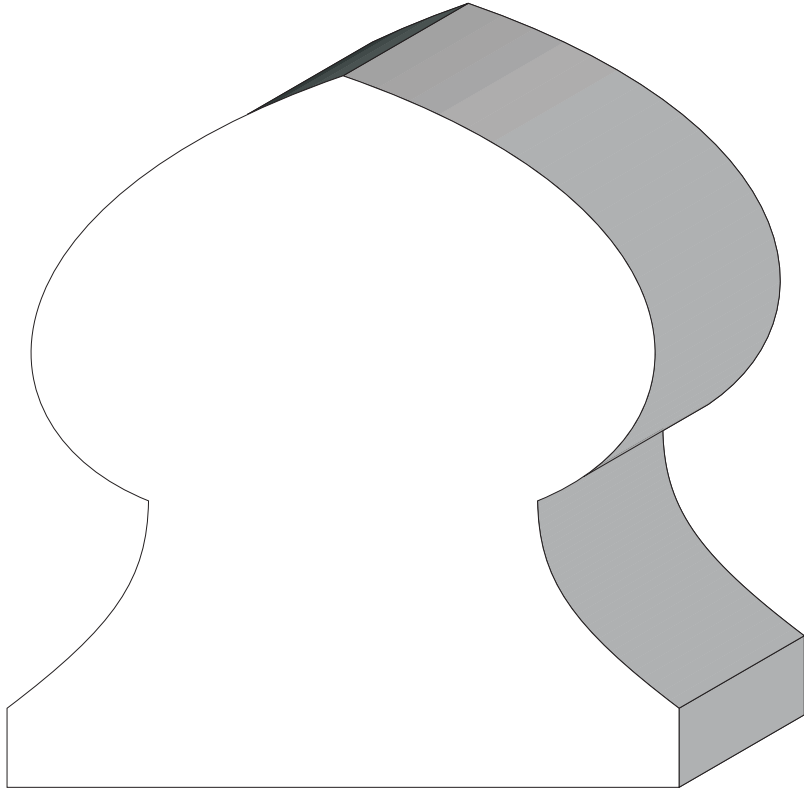


BA 1885
2-1/2" - 4-1/8"

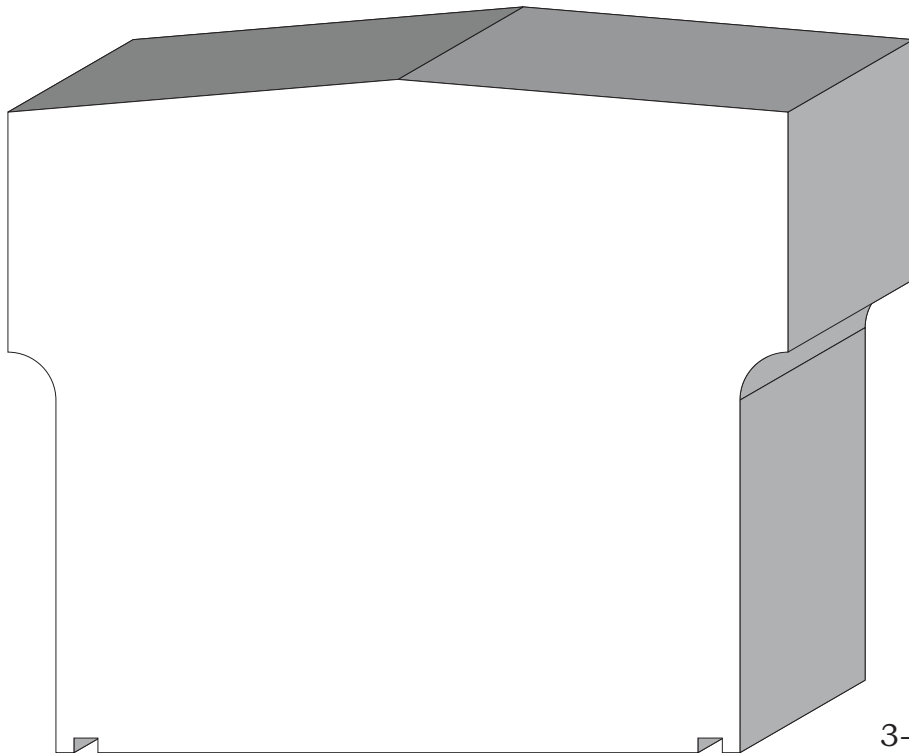
Profile dimensions can be adjusted, please call for details.



Hand Rails & Shoes



BA 1872
3-11/16" x 3-1/2"



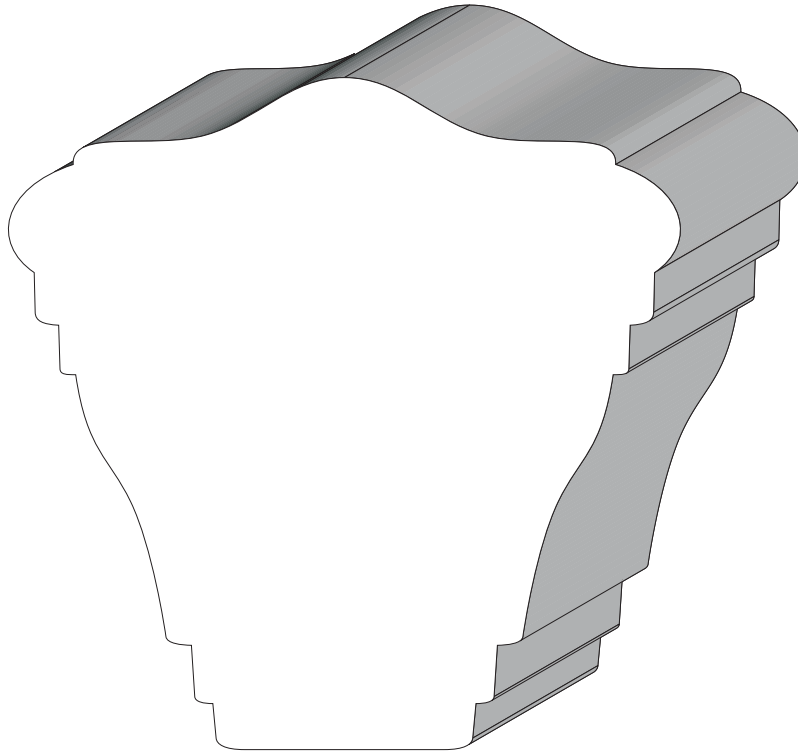
BA 1884
Top

BA 1901
3-1/2" x 4-1/16"

Profile dimensions can be adjusted, please call for details.

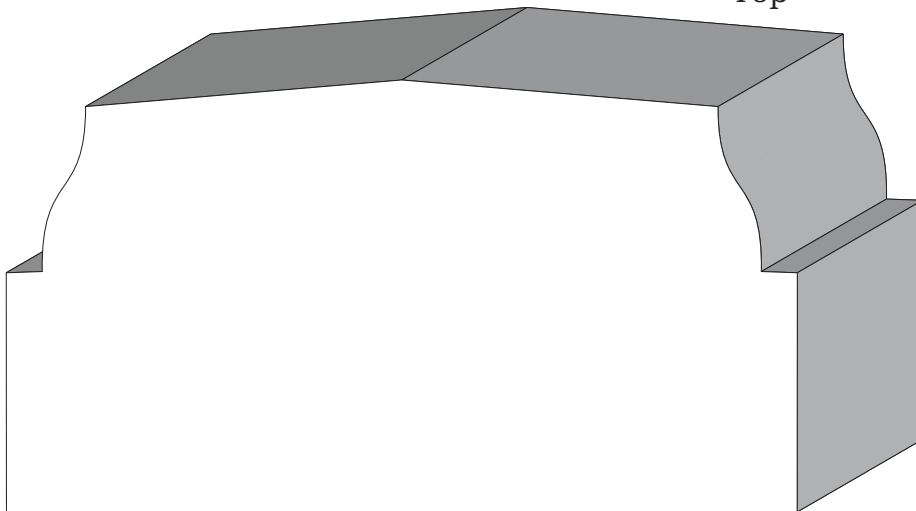


Hand Rails &
Caps



BA 1966
3-1/2" x 3-1/2"

BA 1884
Top

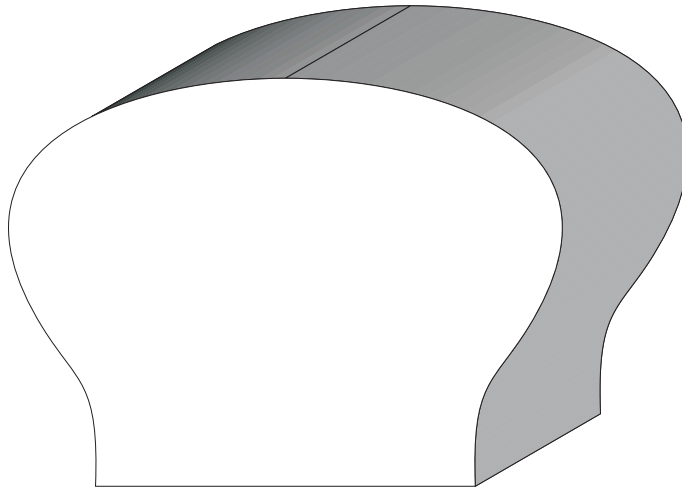


BA 1930
2-1/4"

Profile dimensions can be adjusted, please call for details.



Hand Rails &
Caps



BA 1967
2-1/8" X 2-7/8"

Profile dimensions can be adjusted, please call for details.