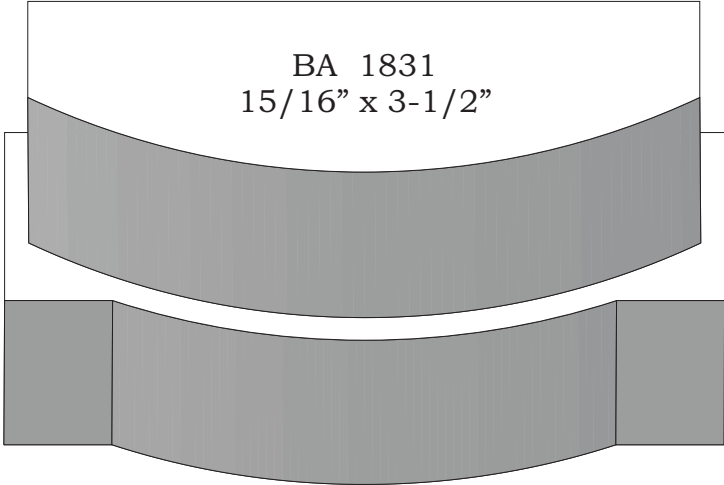


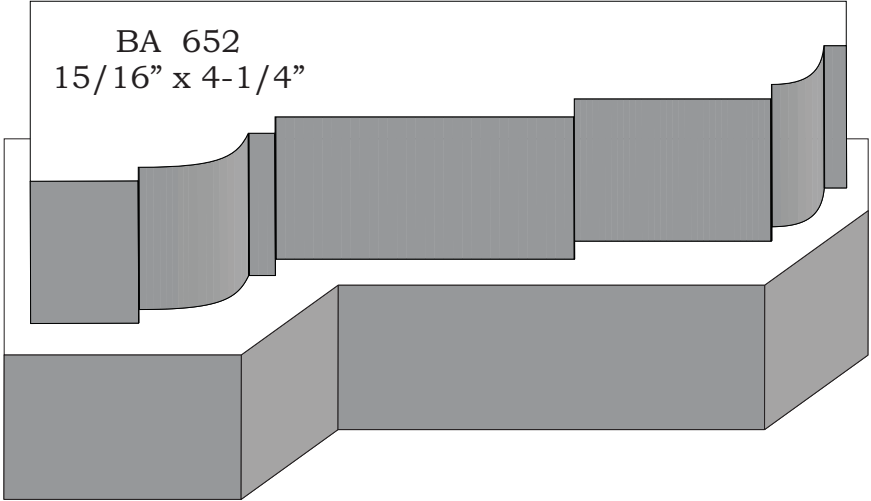


Casings



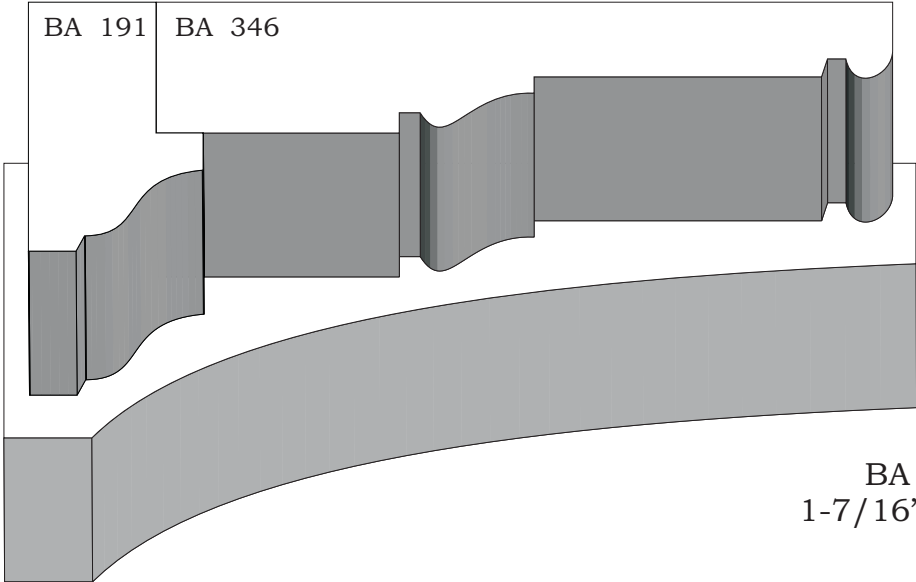
BA 1831
15/16" x 3-1/2"

BA 1832A
1-1/16" x 3-3/4"



BA 652
15/16" x 4-1/4"

BA 1709
1-1/8" x 4-1/2"



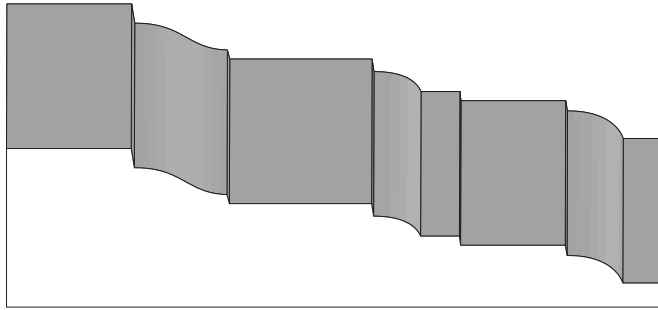
BA 191 BA 346

BA 1690
1-7/16" x 4-3/4"

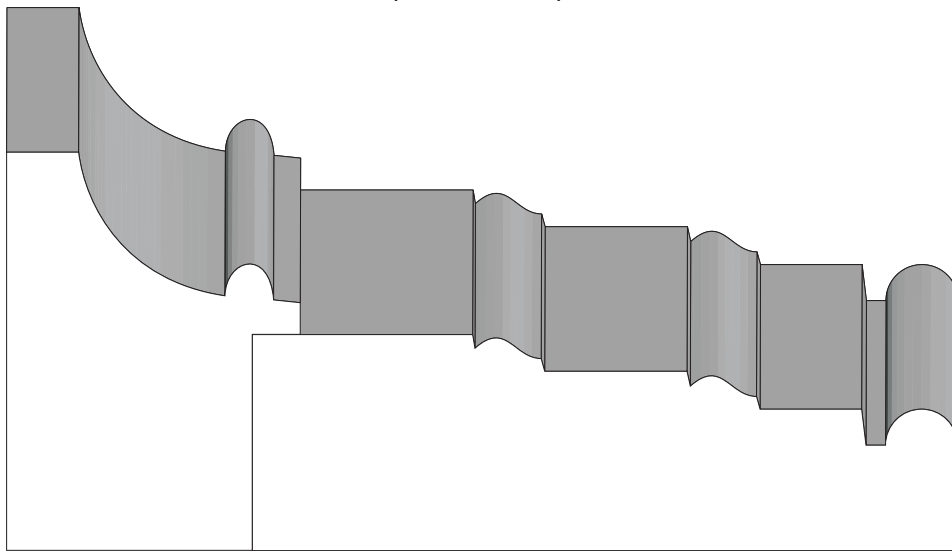
Profile dimensions can be adjusted, please call for details.



Casings

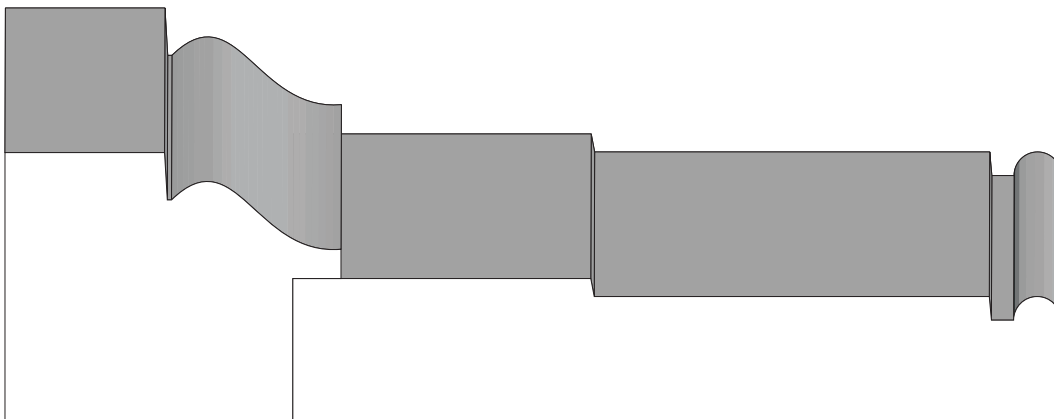


BA 1737
13/16" x 3-1/2"



BA 1793
1-9/16" x 2-1/16"

BA 1794
1-1/4" x 3-11/16"



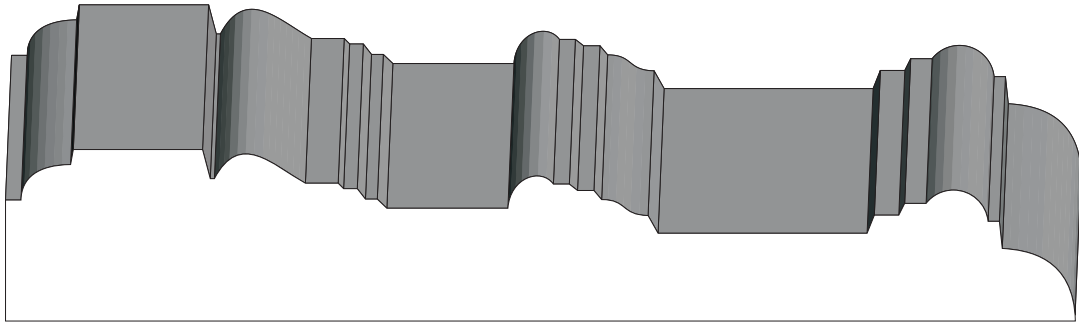
BA 1824
1-13/32 x 1-3/4"

BA 1825
3/4" x 4"

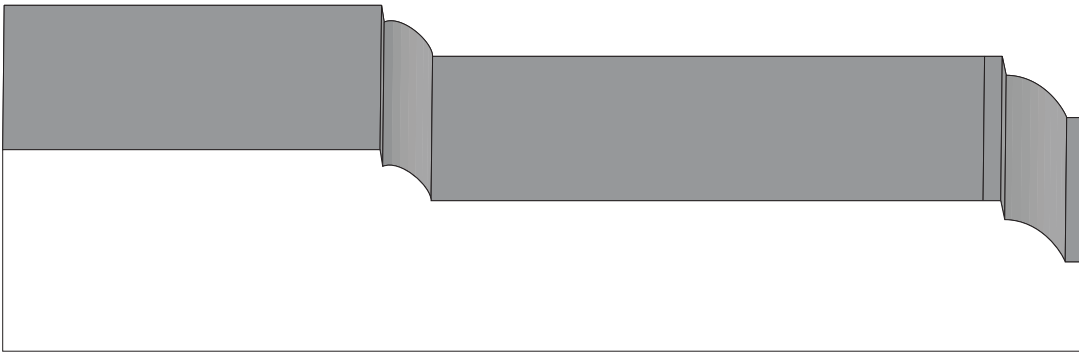
Profile dimensions can be adjusted, please call for details.



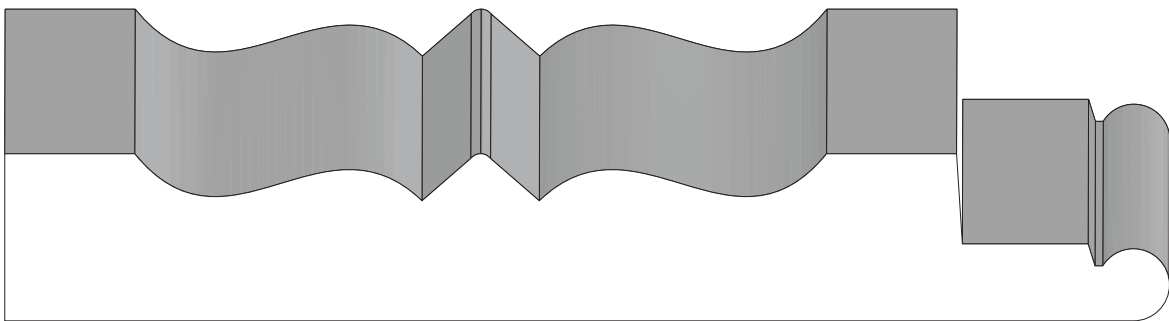
Casings



BA 1693
7/8" x 5-9/16"



BA 1697
1-1/16" x 5-5/8"

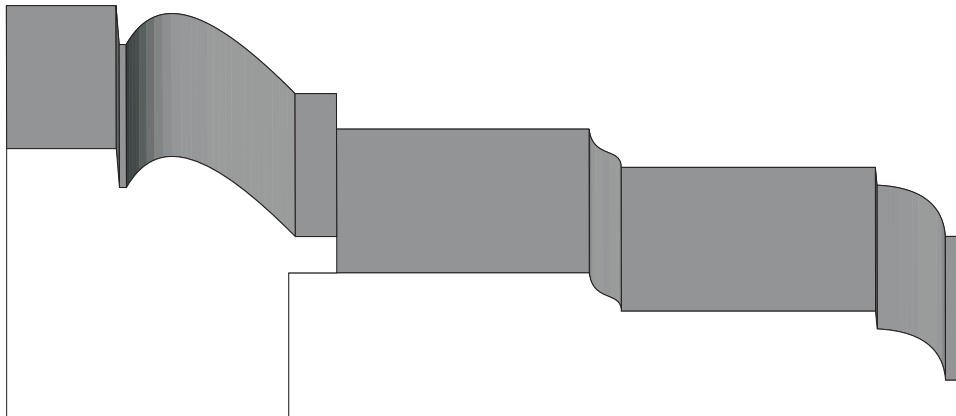


BA 1740
7/8" x 6-1/16"

Profile dimensions can be adjusted, please call for details.

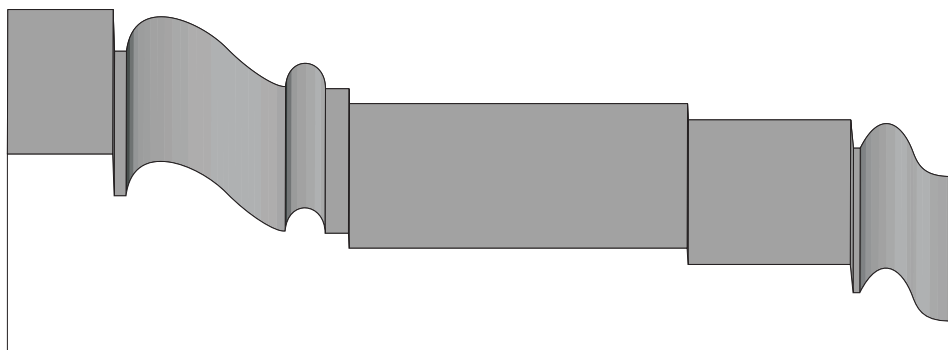


Casings

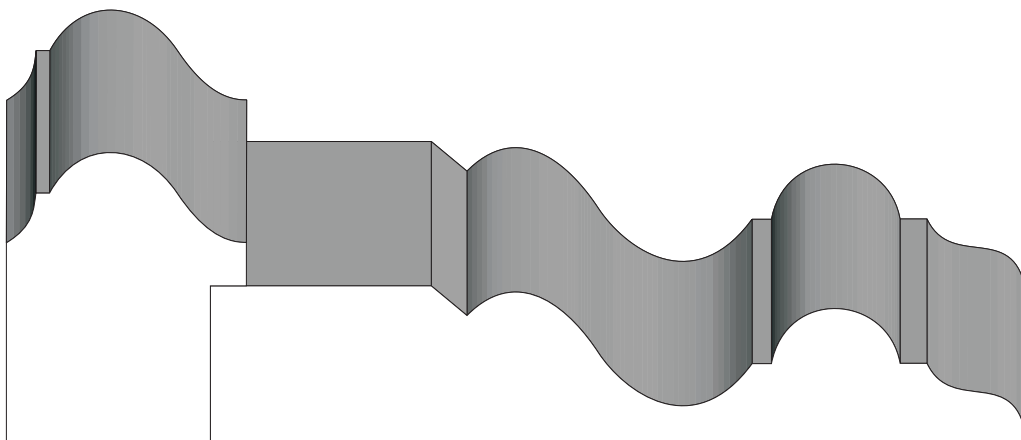


BA 1695
1-3/8" x 1-3/4"

BA 1694
3/4" x 3-1/2"



BA 1759
1" x 4-15/16"



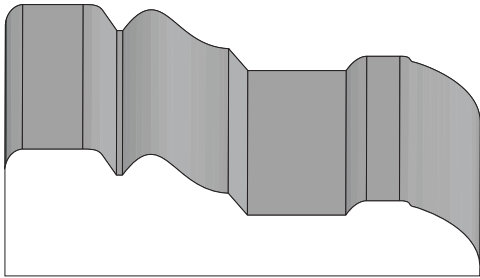
BA 1700
1-1/2" x 1-1/4"
A & M 587

BA 1701
13/16" x 4-1/4"
A & M 3004

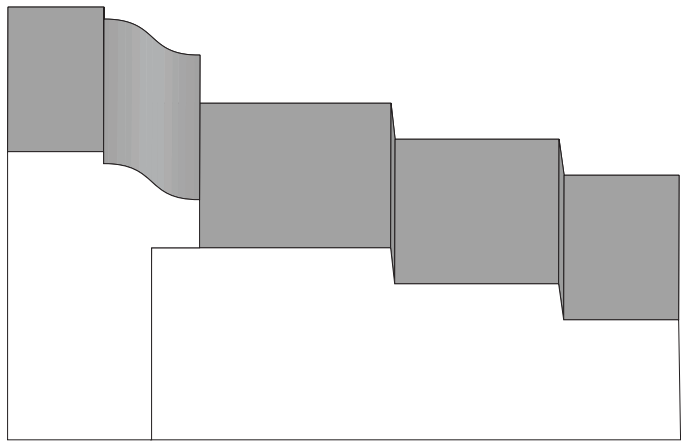
Profile dimensions can be adjusted, please call for details.



Casings

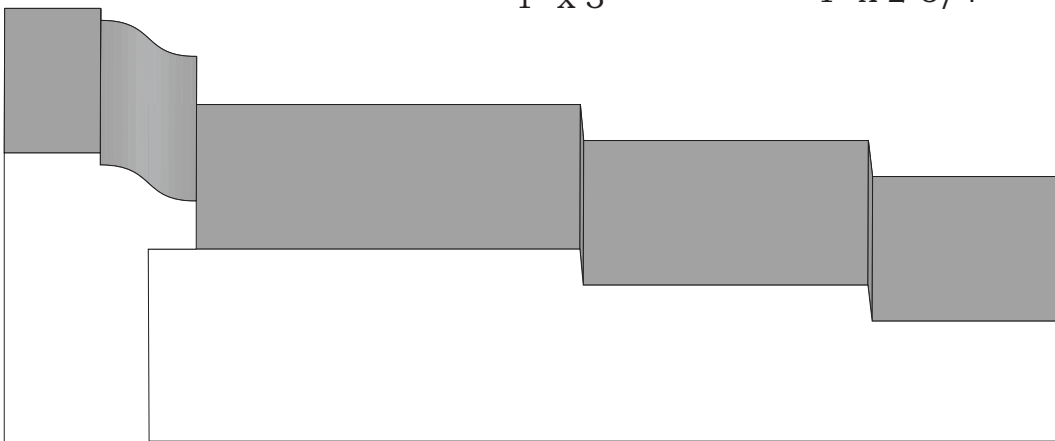


BA 1797
5/8" x 2-1/2"



BA 1814
1" x 3"

BA 1812
1" x 2-3/4"



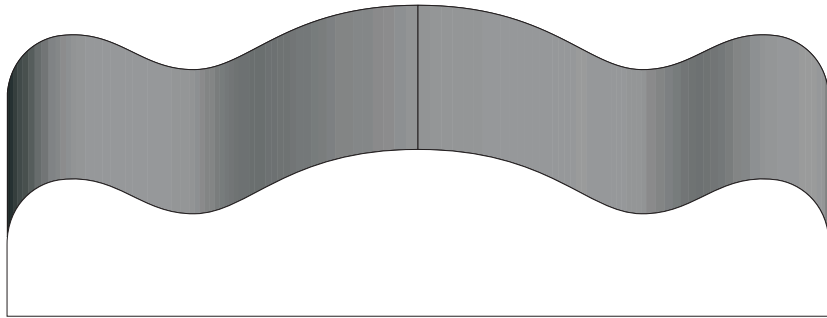
BA 1814
1" x 3"

BA 1813
1" x 4-3/4"

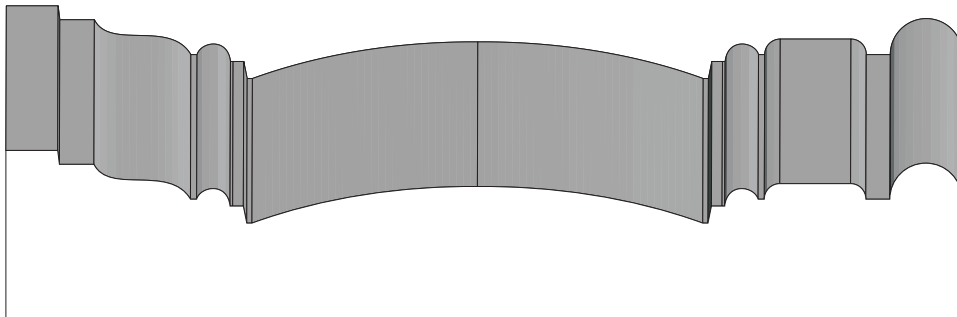
Profile dimensions can be adjusted, please call for details.



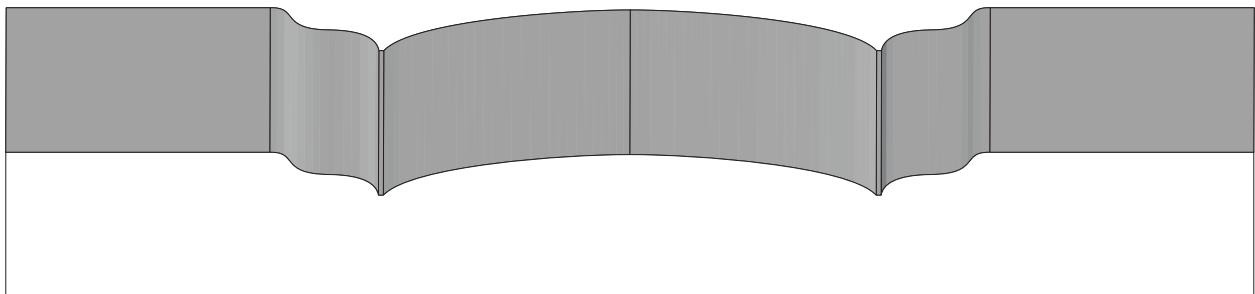
Casings



BA 1712
7/8" x 4-5/16"



BA 1763
7/8" x 5"

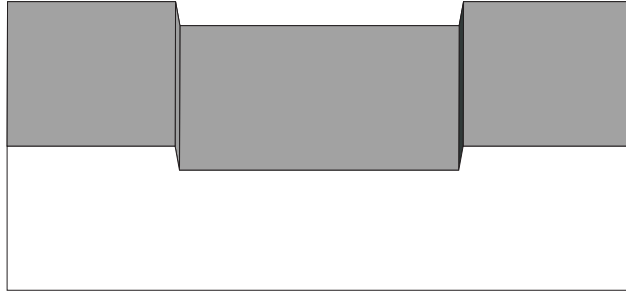


BA 1810
3/4" x 6-1/2"

Profile dimensions can be adjusted, please call for details.



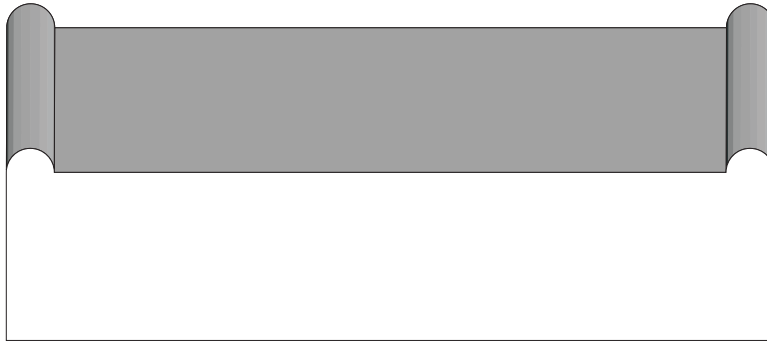
Casings



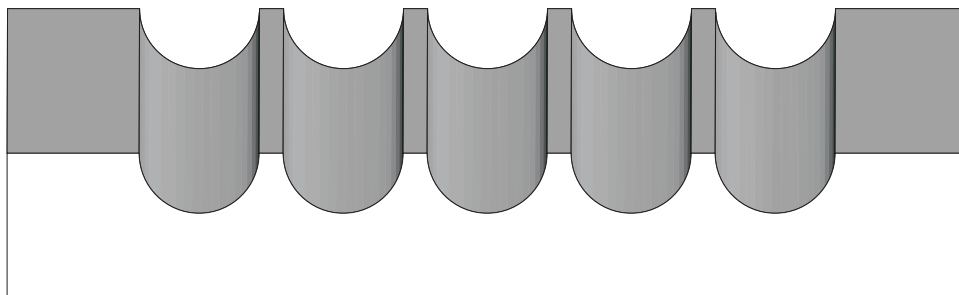
BA 1784
3/4" x 3-1/4"



BA 1692
7/16" x 3-3/8"
Mull Strip for BA 346



BA 1789
1" X 4"

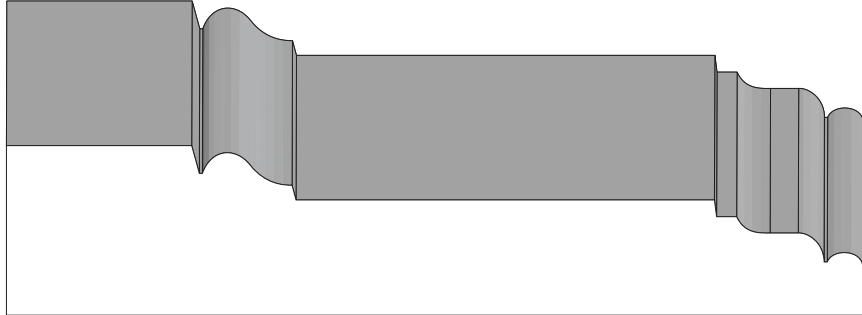


BA 1744
3/4" x 5"

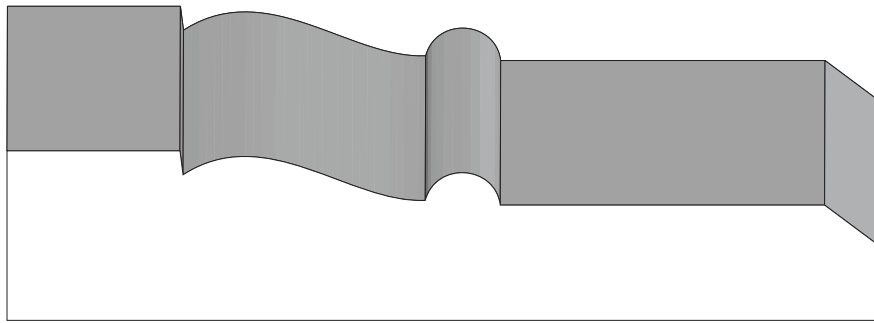
Profile dimensions can be adjusted, please call for details.



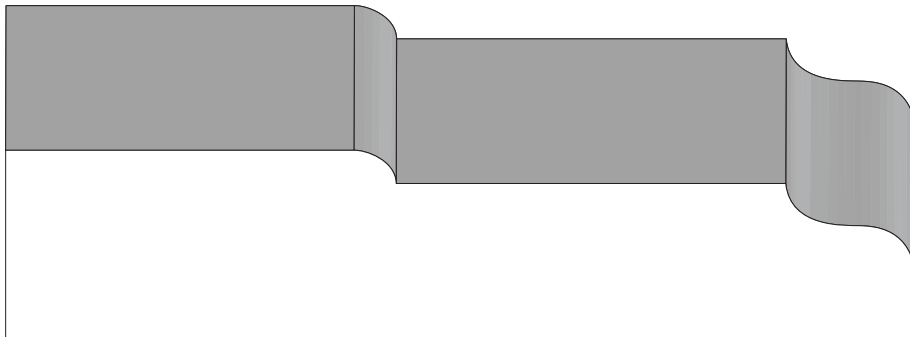
Casings



BA 1735
7/8" x 4-1/2"



BA 1788
13/16" x 4-1/2"

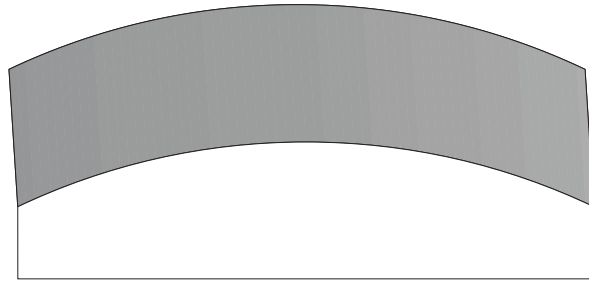


BA 1736
1" x 4-3/4"

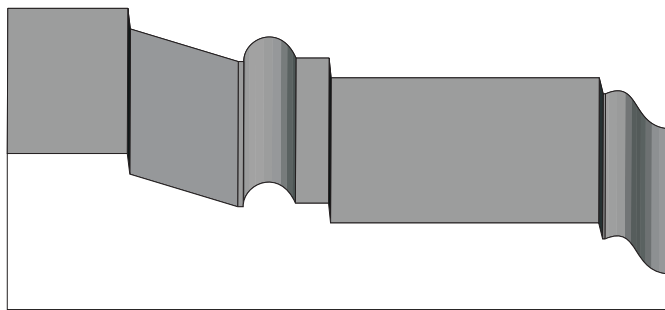
Profile dimensions can be adjusted, please call for details.



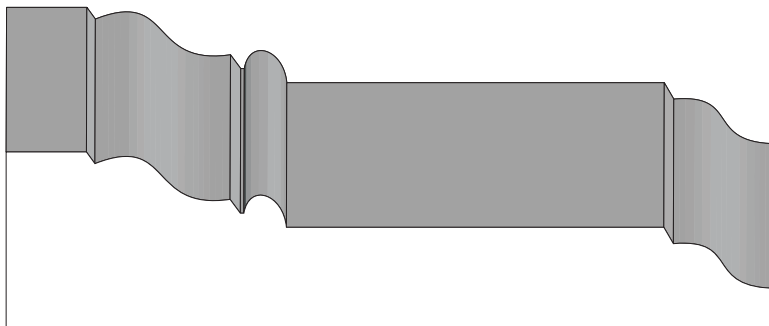
Casings



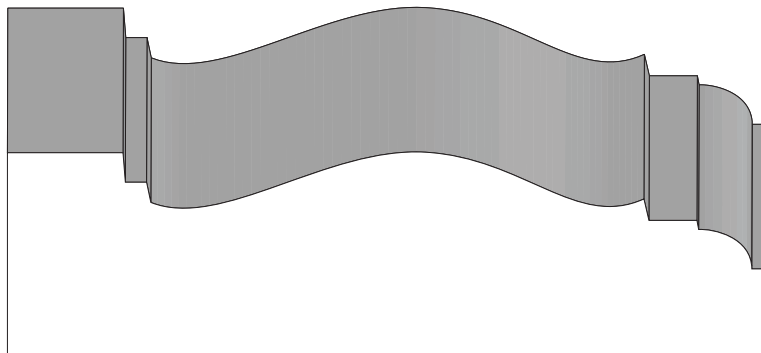
BA 1839
3/4" x 3"



BA 1685
13/16" x 3-1/2"



BA 1756
15/16" x 4"

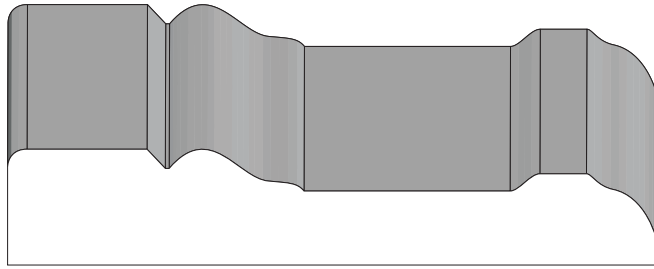


BA 1823
1-1/16" x 4"

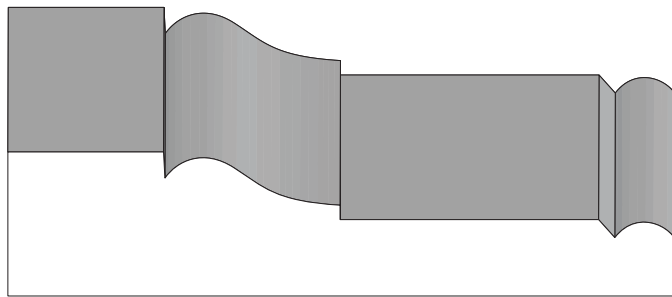
Profile dimensions can be adjusted, please call for details.



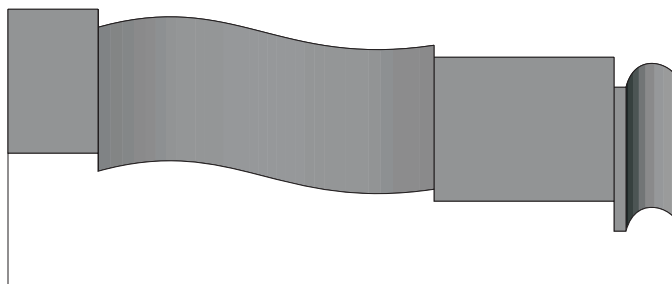
Casings



BA 1798
5/8" x 3-3/8"



BA 1800
3/4" X 3-1/2"



BA 1702
11/16" x 3-1/2"

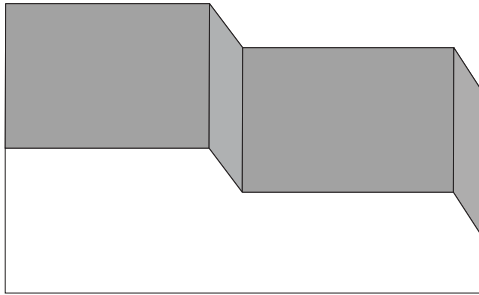


BA 1837
13/16" x 5"

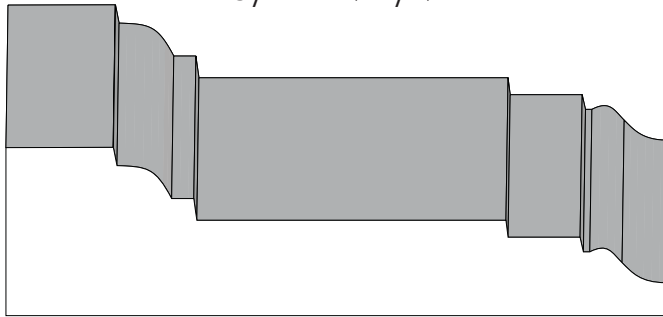
Profile dimensions can be adjusted, please call for details.



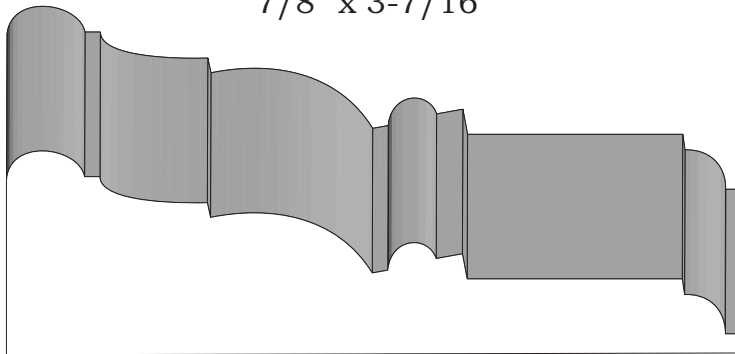
Casings



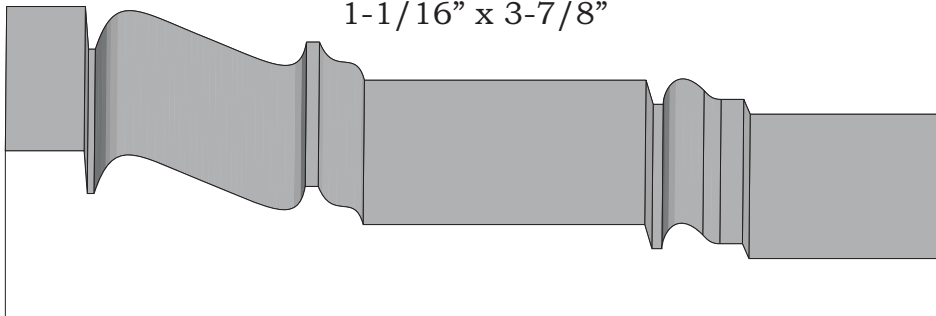
BA 1989 Top
BA 1990 Side
3/4" x 2-1/2"



BA 1845
7/8" x 3-7/16"



BA 1980
1-1/16" x 3-7/8"

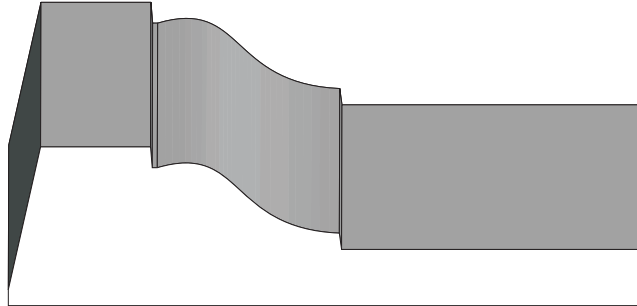


BA 1843
7/8" x 4-7/8"

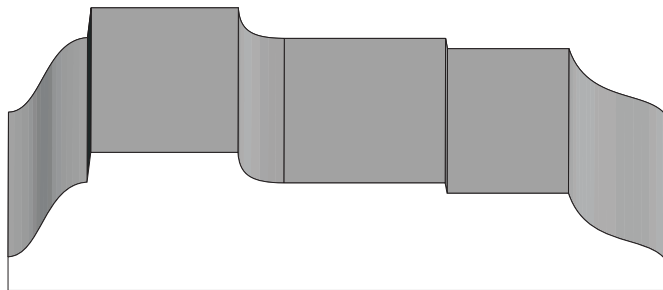
Profile dimensions can be adjusted, please call for details.



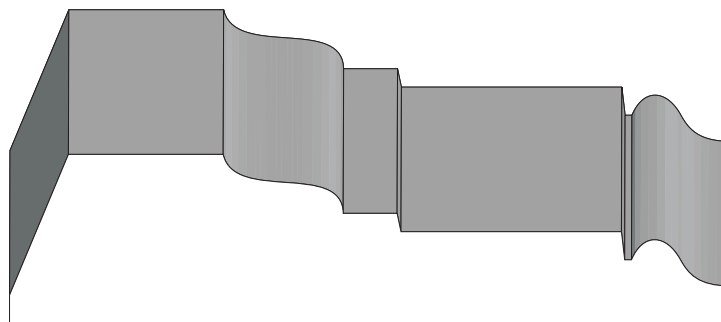
Casings



BA 1867
13/16" x 3-5/16"



BA 1916
3/4" x 3-1/2"

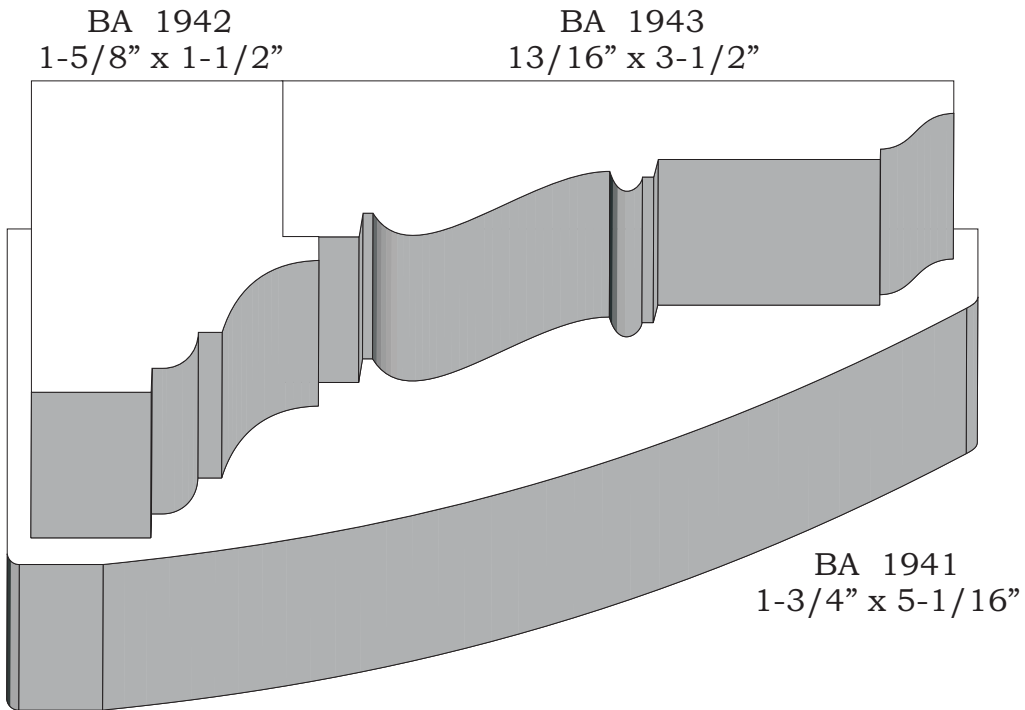
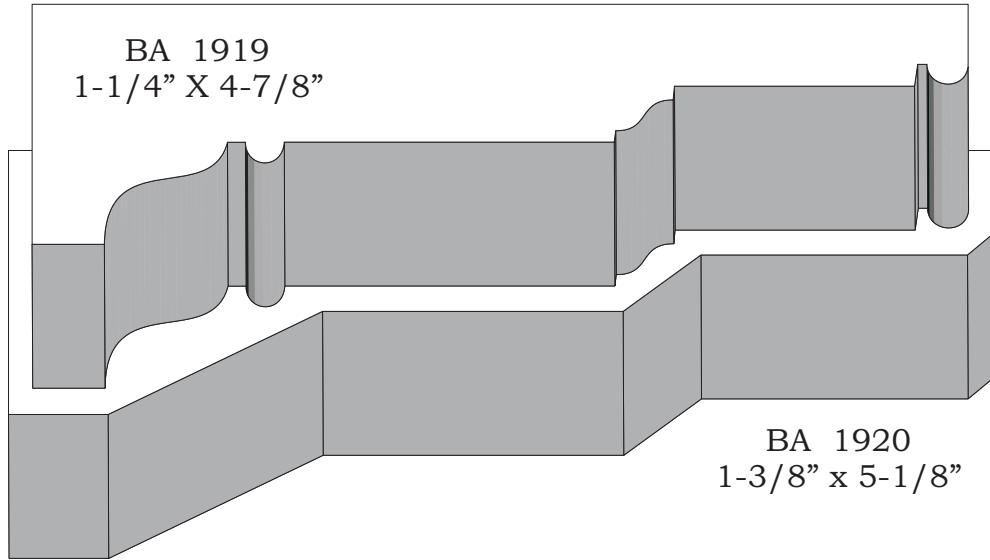


BA 1977
7/8" x 3-3/4"

Profile dimensions can be adjusted, please call for details.



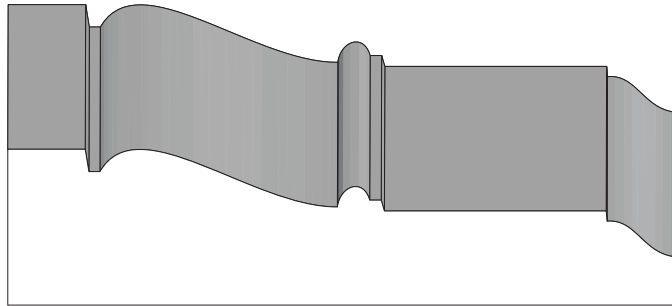
Casings



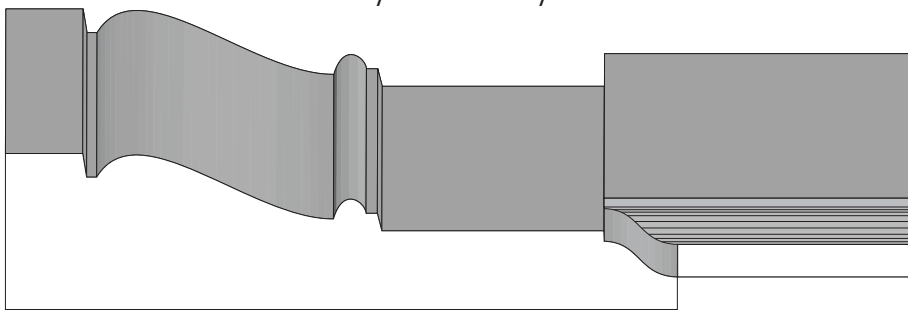
Profile dimensions can be adjusted, please call for details.



Casings



BA 1957
13/16" x 3-1/2"



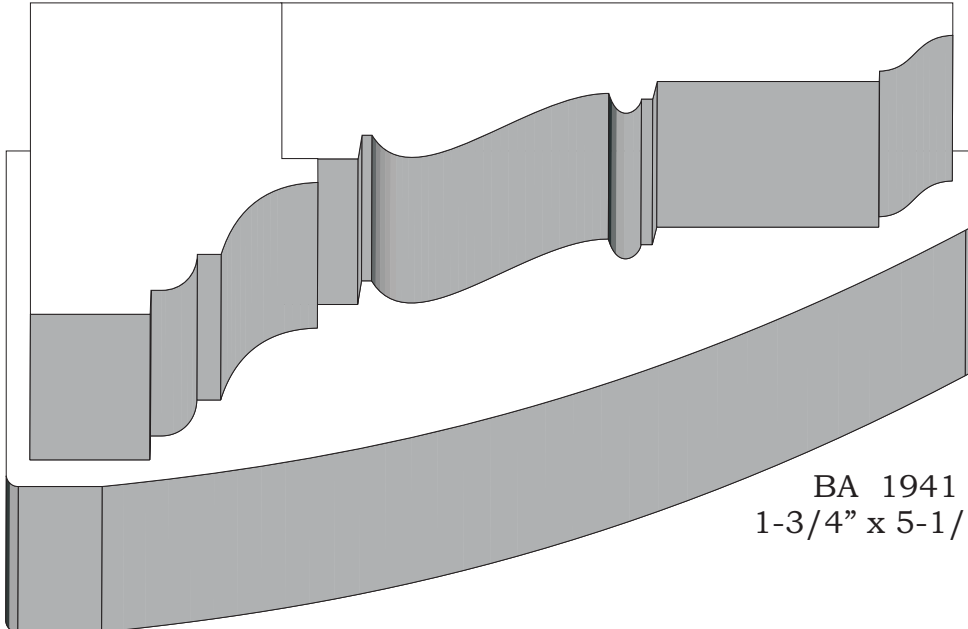
BA 1943
13/16" x 3-1/2"

BA 1945
Cope for
BA 1943

BA 1944
Stick for
BA 1943

BA 1942
1-5/8" x 1-1/2"

BA 1943
13/16" x 3-1/2"

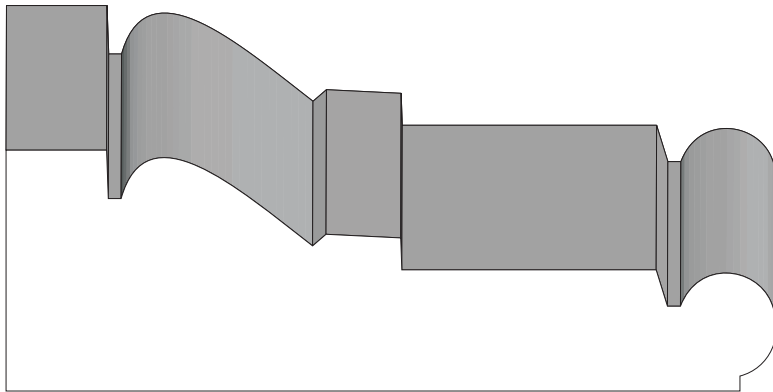


BA 1941
1-3/4" x 5-1/16"

Profile dimensions can be adjusted, please call for details.

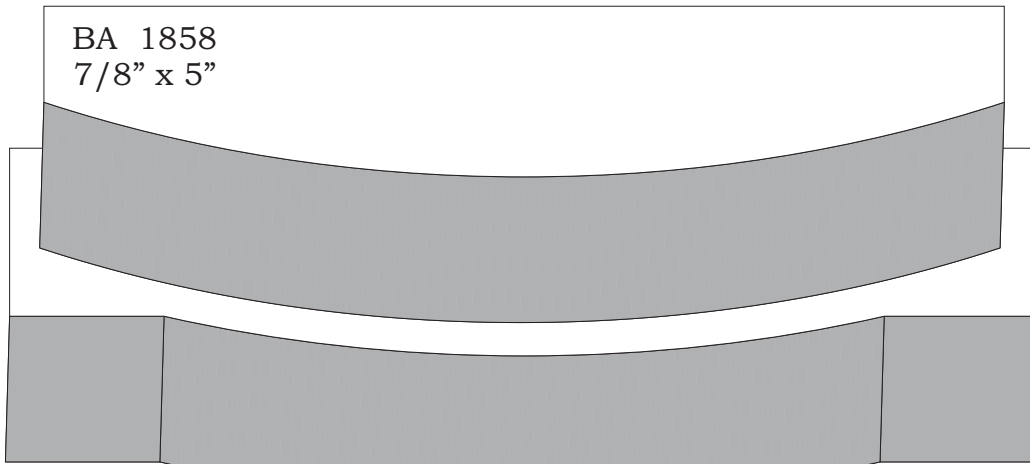


Casings



BA 1934
1-1/4" X 4"

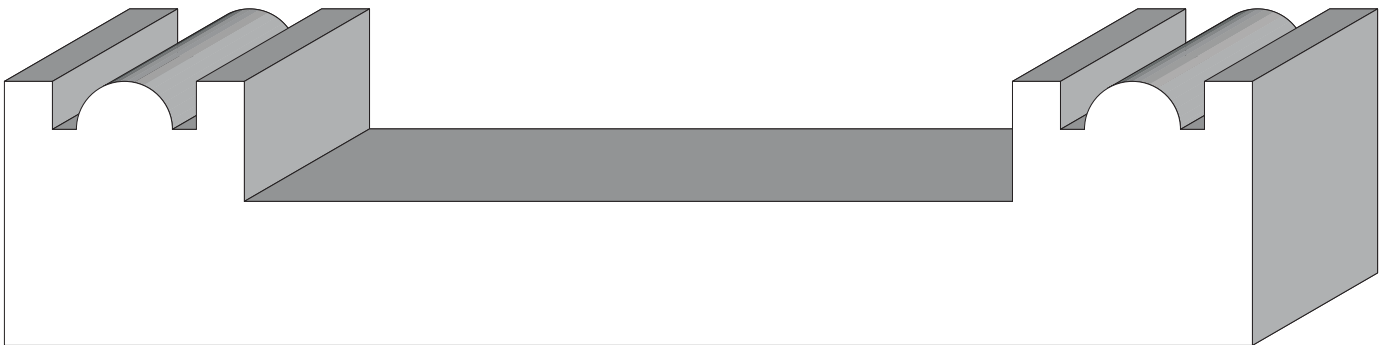
BA 1935
9/16"



BA 1858
7/8" x 5"

BA 1859
1" x 5-3/8"

Similar to:
BA 1831 & BA 1832

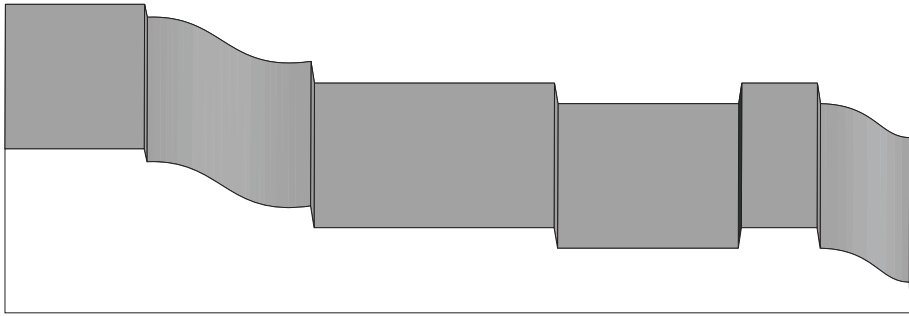


BA 1921
1-3/8" x 6-1/2"

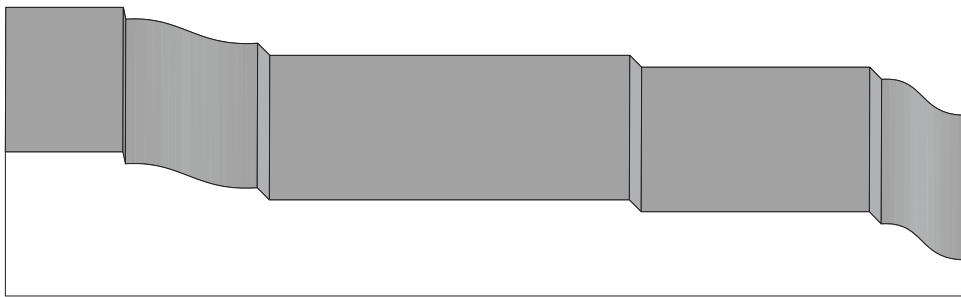
Profile dimensions can be adjusted, please call for details.



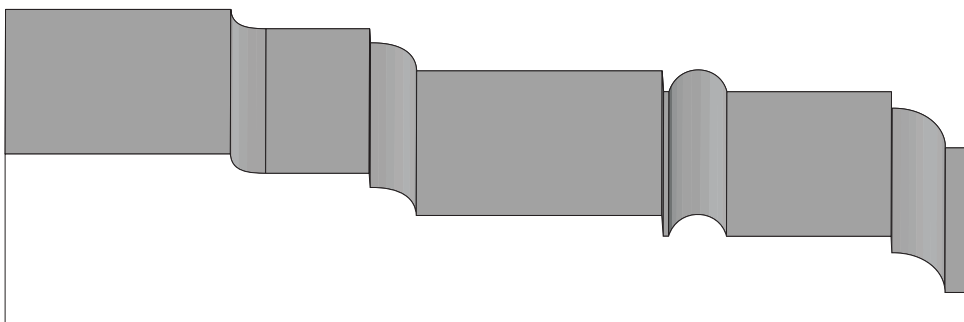
Casings



BA 1984
7/8" x 4-3/4"



BA 1979
3/4" x 5"

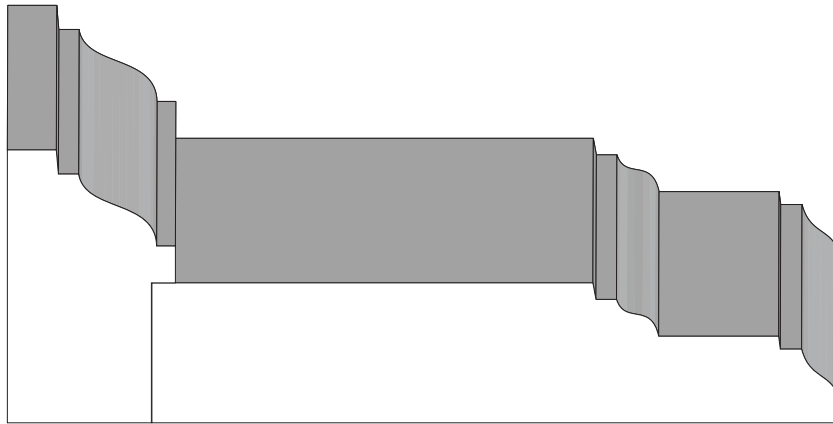


BA 1906
7/8" x 5"

Profile dimensions can be adjusted, please call for details.

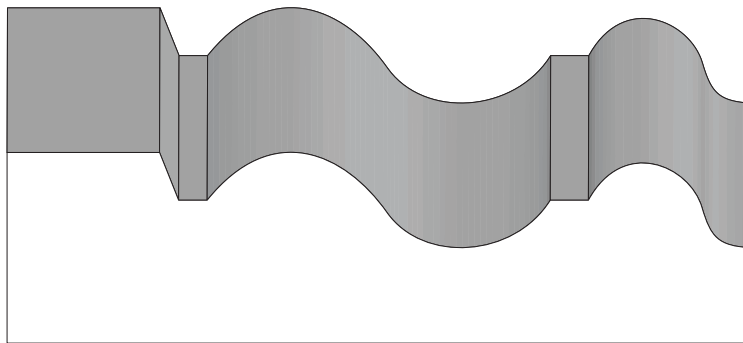


Casings

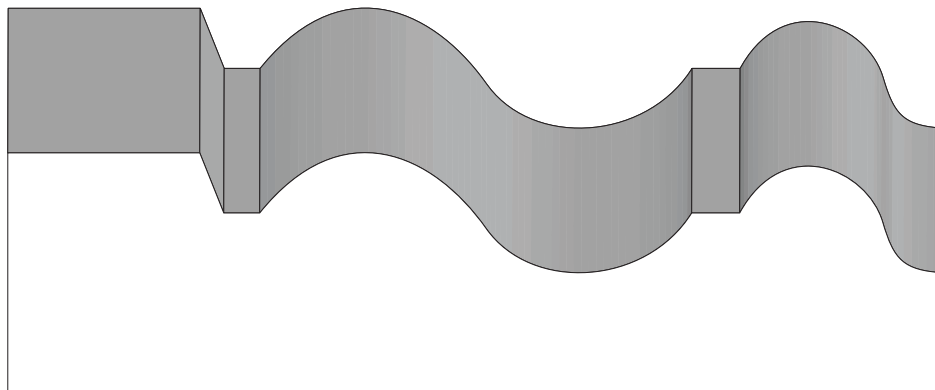


BA 1932
1-7/16" x 7/8"

BA 1931
3/4" X 3-9/16"



BA 1972
1" x 3-7/8"

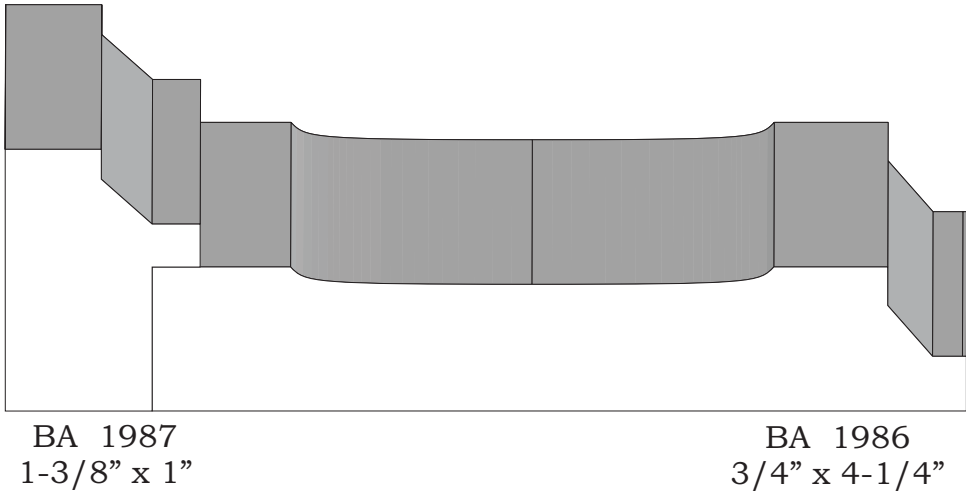
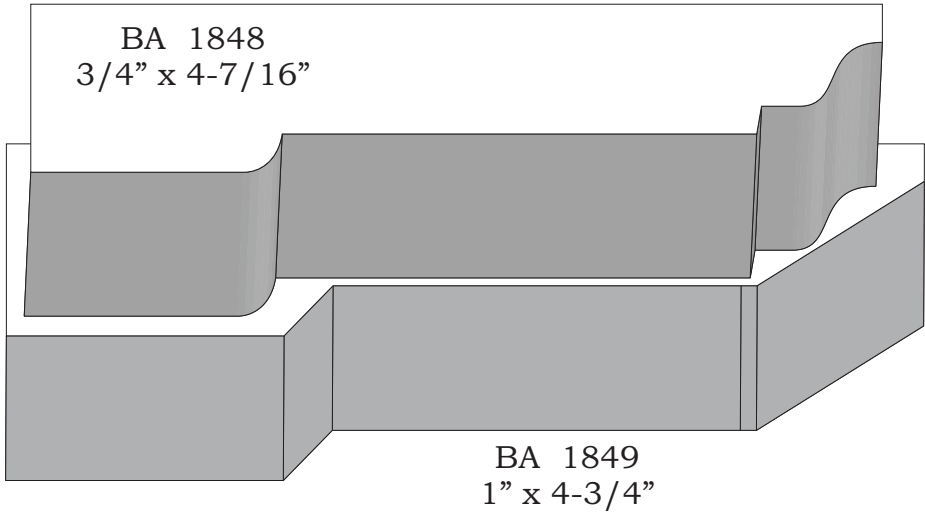
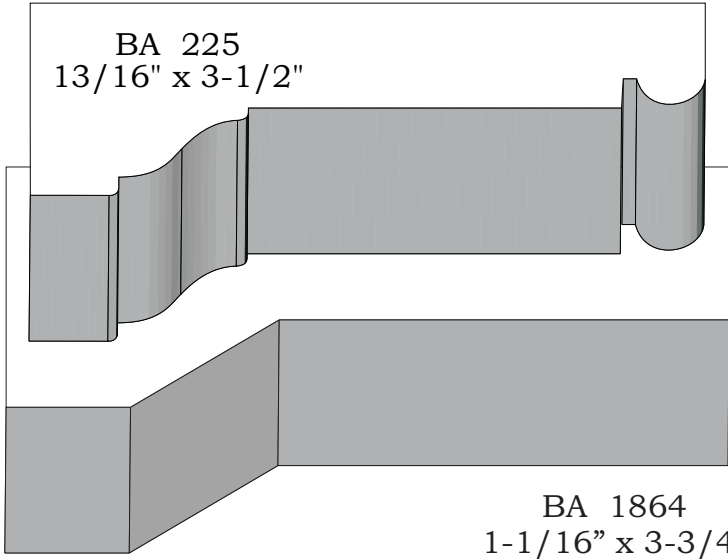


BA 1971
1-1/4" x 4-7/8"

Profile dimensions can be adjusted, please call for details.



Casings



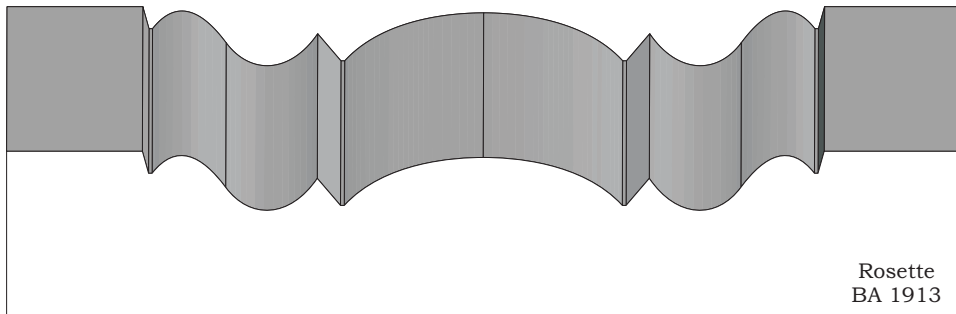
Profile dimensions can be adjusted, please call for details.



Casings



BA 1905
3/4" x 4-1/2"



BA 1912
13/16" x 5"

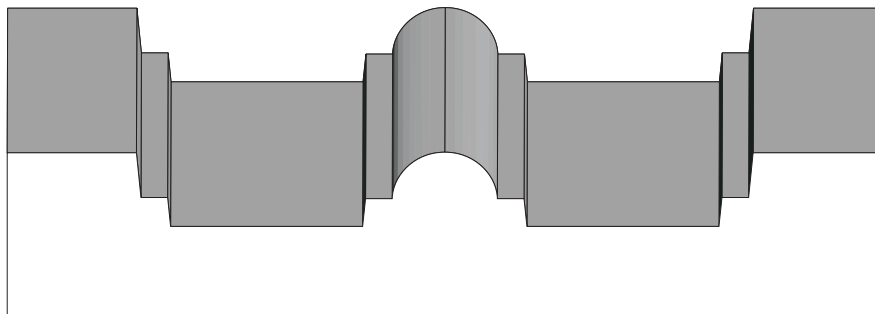
Profile dimensions can be adjusted, please call for details.



Casings



BA 1992
1-1/4" x 3-1/2"



BA 1854
7/8" x 4-9/16"

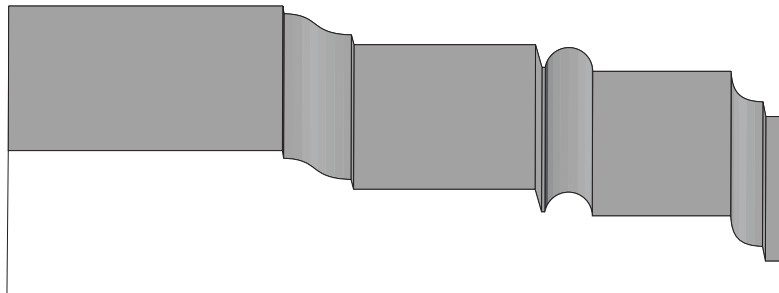
Profile dimensions can be adjusted, please call for details.



Casings



BA 2000
9/16" x 4-1/16"
Mull for BA 2001



BA 2001
3/4" x 4-1/16"

Profile dimensions can be adjusted, please call for details.