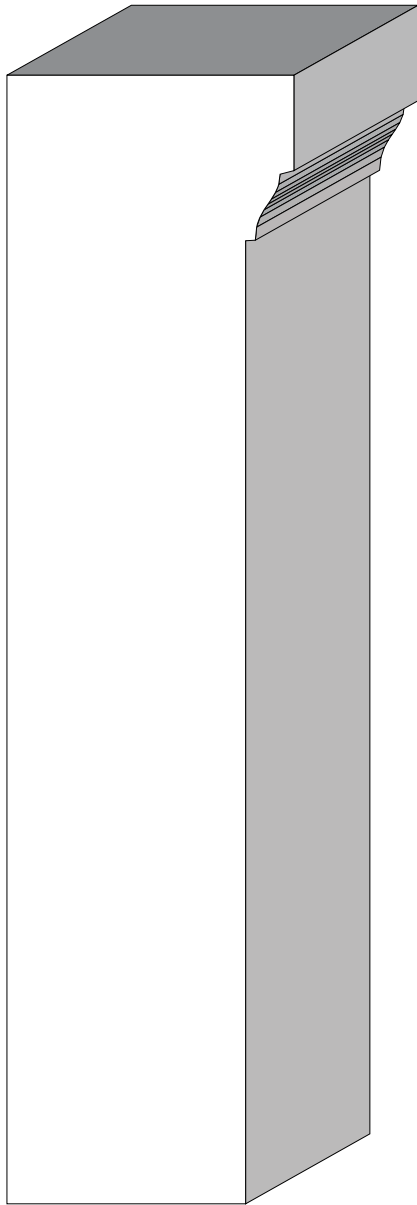
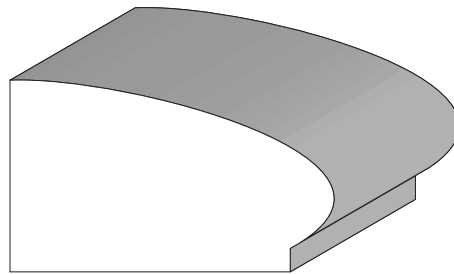




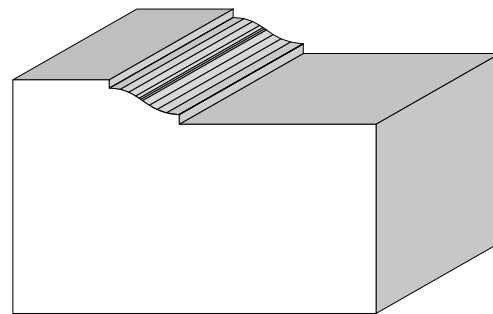
Brick Molds



BA 538  
1-1/2" x 5-7/8"



BA 1862  
1" x 1-11/16"

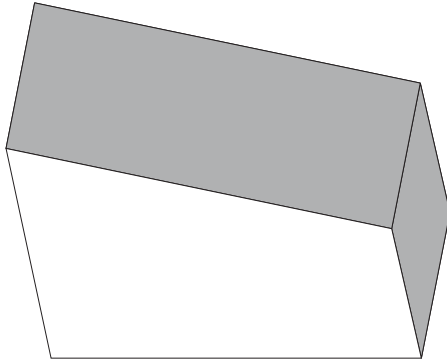


BA 265  
1-1/4" x 2-7/8"

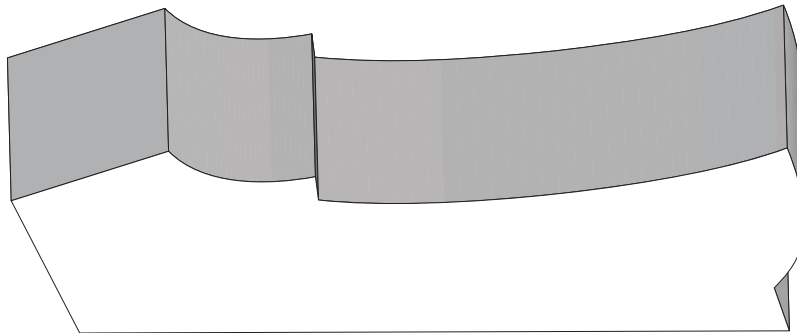
Profile dimensions can be adjusted, please call for details.



Brick Molds



BA 1358  
1-1/16" x 2-3/16"



BA 1356  
1" x 4-1/8"

Profile dimensions can be adjusted, please call for details.